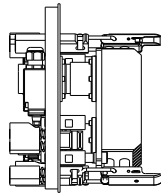
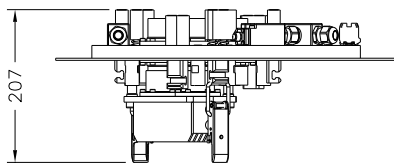
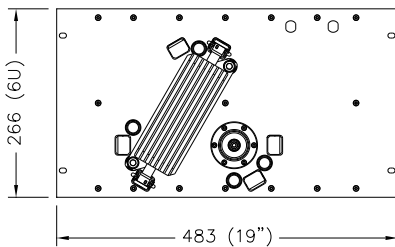
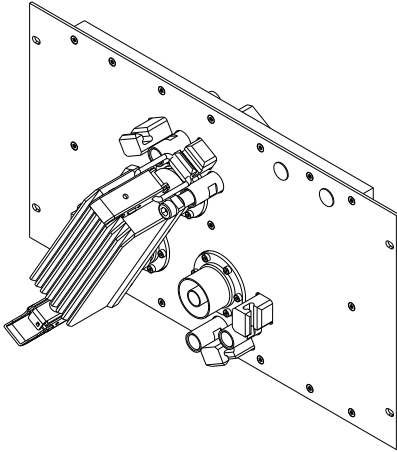


3-Port 1+5/8" Patch Panel

TP3F39C



FEATURES

- Floating Interlock Contacts
- Rack Ready Design
- Modular Connector System
- 10-Year Warranty

OPTIONS

- Frame

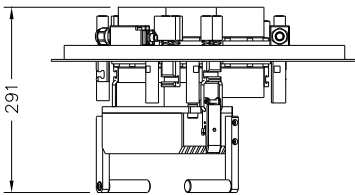
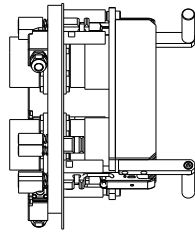
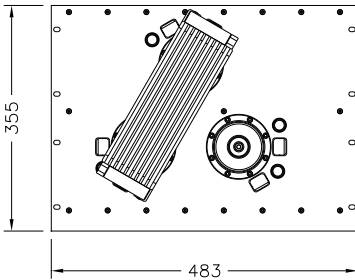
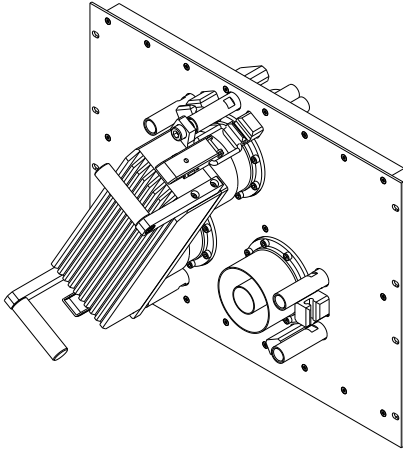
SPECIFICATIONS

Code / Revision	C-TP3F39C / A	
Frequency Range	DC-862 MHz	
Max RMS Input Power ⁽³⁾	UHF	7.0 kW (700 MHz)
	VHF B.III	12.0 kW (230 MHz)
	VHF B.I	20.0 kW (88 MHz)
	FM	18.0 kW (108 MHz)
Return Loss (VSWR)	> 32 dB (1.05)	
Max Operating Temperature (Body)	65 °C (149 °F)	
Environmental Conditions	-5 to +55 °C (+23 to +131 °F), IP60	
Dimensions / Weight ⁽¹⁾	207x266x483 mm (19" x 6U) / 10 kg	
Connectors ⁽⁸⁾	3x 64 mm	Connections
	D-PC64J	1+5/8" FastLine Socket (Default)
	D-PC64K	1+5/8" FastLine Flange
	D-PC64L	1+5/8" FastLine Plug
	D-PC64M	3+1/8" FastLine Socket
	D-PC64O	3+1/8" FastLine Plug
Options	O-PF.02	45 mm Frame
Interlock Contacts	1 Normally Closed + 1 Normally Open	
Contact Ratings	200 V / 2 A	

⁽¹⁾ Approximate, default configuration ⁽³⁾ Altitude < 1500 m (4,900 ft.), Free air, Ambient temp. < 30 °C (86 °F) ⁽⁸⁾ Other Connections available

3-Port 3+1/8" Patch Panel

TP3F77C



FEATURES

- Floating Interlock Contacts
- Rack Ready Design
- Modular Connector System
- 10-Year Warranty

OPTIONS

- Frame

SPECIFICATIONS

Code / Revision	C-TP3F77C / A		
Frequency Range	DC-862 MHz		
Max RMS Input Power ⁽³⁾	UHF	25.0 kW	(700 MHz)
	VHF B.III	44.0 kW	(230 MHz)
	VHF B.I	71.0 kW	(88 MHz)
	FM	65.0 kW	(108 MHz)
Return Loss (VSWR)	> 32 dB (1.05)		
Max Operating Temperature (Body)	65 °C (149 °F)		
Environmental Conditions	-5 to +55 °C (+23 to +131 °F), IP60		
Dimensions / Weight ⁽¹⁾	291x355x483 mm (19" x 8U) / 16 kg		

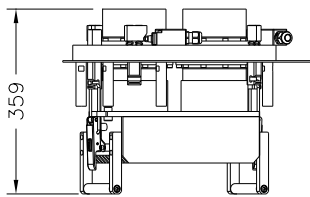
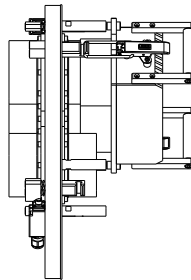
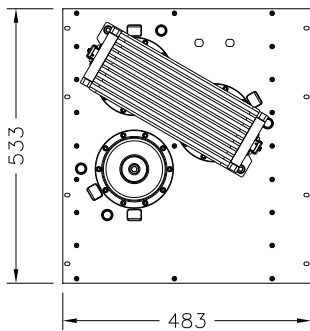
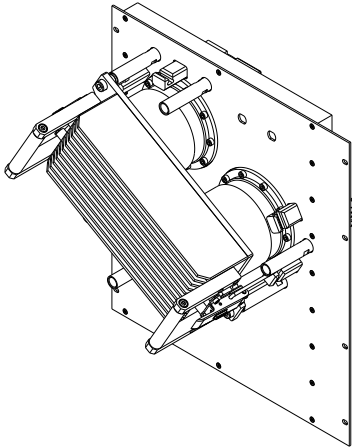
Connectors ⁽⁸⁾	3x 100 mm	Connections
D-PC100M	3+1/8"	FastLine Socket (Default)
D-PC100N	3+1/8"	FastLine Flange
D-PC100O	3+1/8"	FastLine Plug
D-PC100P	4+1/2"	FastLine Socket

Options ⁽⁸⁾	O-PF.03	45 mm Frame
Interlock Contacts	1	Normally Closed + 1 Normally Open
Contact Ratings	200 V / 2 A	

⁽¹⁾ Approximate, default configuration ⁽³⁾ Altitude < 1500 m (4,900 ft.), Free air, Ambient temp. <30 °C (86 °F) ⁽⁸⁾ Other Connections available

3-Port RL-120 Patch Panel

TP3F120C



FEATURES

- Floating Interlock Contacts
- Rack Ready Design
- Modular Connector System
- 10-Year Warranty

OPTIONS

- Frame

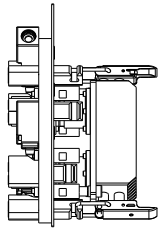
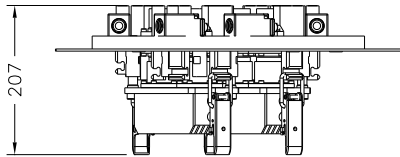
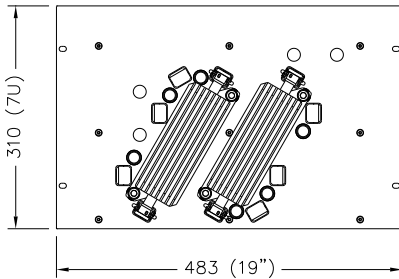
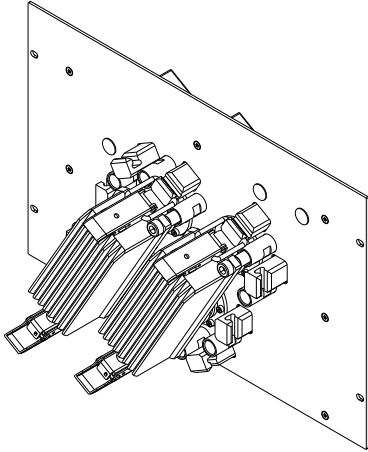
SPECIFICATIONS

Code / Revision	C-TP3F120C / A	
Frequency Range	DC-862 MHz	
Max RMS Input Power ⁽³⁾	UHF	48.0 kW (700 MHz)
	VHF B.III	83.0 kW (230 MHz)
	VHF B.I	134.0 kW (88 MHz)
	FM	121.0 kW (108 MHz)
Return Loss (VSWR)	> 32 dB (1.05)	
Max Operating Temperature (Body)	65 °C (149 °F)	
Environmental Conditions	-5 to +55 °C (+23 to +131 °F), IP60	
Dimensions / Weight ⁽¹⁾	359x483x533 mm (19" x 12U) / 30 kg	
Connectors ⁽⁸⁾	3x 150 mm	Connections
	D-PC150S	RL-120 <i>FastLine</i> Socket (Default)
	D-PC150T	RL-120 <i>FastLine</i> Plug
	D-PC150X	RL-120 <i>FastLine</i> Flange
	D-PC150U	6+1/8" <i>FastLine</i> Socket
	D-PC150V	6+1/8" <i>FastLine</i> Flange
Options ⁽⁶⁾	O-PF.04	45 mm Frame
Interlock Contacts	1 Normally Closed + 1 Normally Open	
Contact Ratings	200 V / 2 A	

⁽¹⁾ Approximate, default configuration ⁽³⁾ Altitude < 1500 m (4,900 ft.), Free air, Ambient temp. <30 °C (86 °F) ⁽⁸⁾ Other Connections available

4-Port 1+5/8" Patch Panel

TP4F39C



FEATURES

- Floating Interlock Contacts
- Rack Ready Design
- Modular Connector System
- 10-Year Warranty

OPTIONS

- Frame

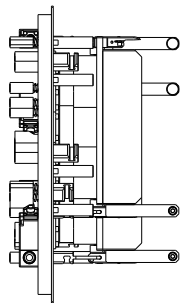
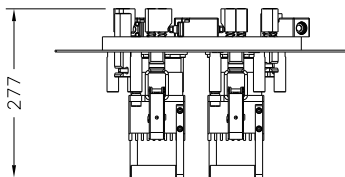
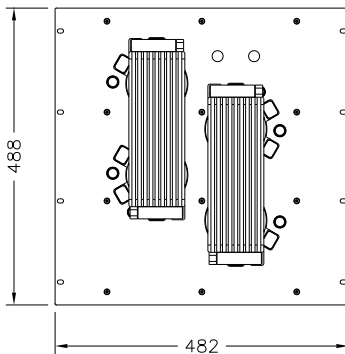
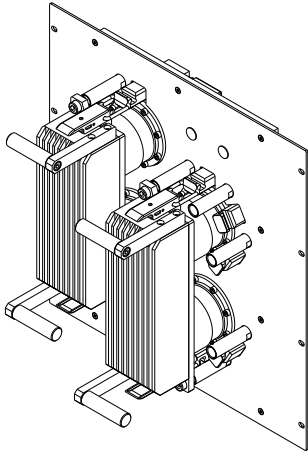
SPECIFICATIONS

Code / Revision	C-TP4F39C / A	
Frequency Range	DC-862 MHz	
Max RMS Input Power ⁽³⁾	UHF	7.0 kW (700 MHz)
	VHF B.III	12.0 kW (230 MHz)
	VHF B.I	20.0 kW (88 MHz)
	FM	18.0 kW (108 MHz)
Return Loss (VSWR)	> 32 dB (1.05)	
Max Operating Temperature (Body)	65 °C (149 °F)	
Environmental Conditions	-5 to +55 °C (+23 to +131 °F), IP60	
Dimensions / Weight ⁽¹⁾	207x310x483 mm (19" x 7U) / 12 kg	
Connectors ⁽⁸⁾	3x 64 mm	Connections
	D-PC64J	1+5/8" <i>FastLine</i> Socket (Default)
	D-PC64K	1+5/8" <i>FastLine</i> Flange
	D-PC64L	1+5/8" <i>FastLine</i> Plug
	D-PC64M	3+1/8" <i>FastLine</i> Socket
	D-PC64O	3+1/8" <i>FastLine</i> Plug
Options	O-PF.04	45 mm Frame
Interlock Contacts	1 Normally Closed + 1 Normally Open	
Contact Ratings	200 V / 2 A	

⁽¹⁾ Approximate, default configuration ⁽³⁾ Altitude < 1500 m (4,900 ft.), Free air, Ambient temp. <30 °C (86 °F) ⁽⁸⁾ Other Connections available

4-Port 3+1/8" Patch Panel

TP4F77C



FEATURES

- Floating Interlock Contacts
- Rack Ready Design
- Modular Connector System
- 10-Year Warranty

OPTIONS

- Frame

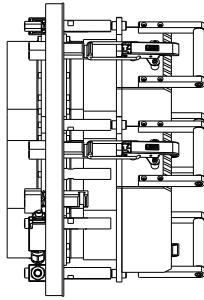
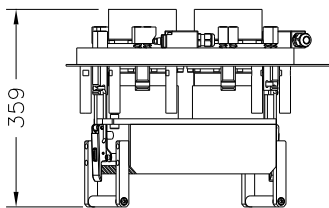
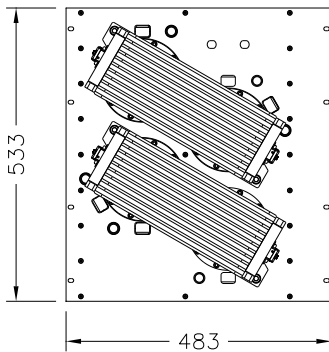
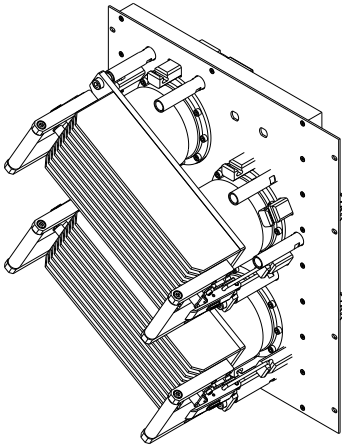
SPECIFICATIONS

Code / Revision	C-TP4F77C / A	
Frequency Range	DC-862 MHz	
Max RMS Input Power ⁽³⁾	UHF	25.0 kW (700 MHz)
	VHF B.III	44.0 kW (230 MHz)
	VHF B.I	71.0 kW (88 MHz)
	FM	65.0 kW (108 MHz)
Return Loss (VSWR)	> 32 dB (1.05)	
Max Operating Temperature (Body)	65 °C (149 °F)	
Environmental Conditions	-5 to +55 °C (+23 to +131 °F), IP60	
Dimensions / Weight ⁽¹⁾	227x488x482 mm (19" x 11U) / 20 kg	
Connectors ⁽⁸⁾	4x 100 mm Connections	
	D-PC100M	3+1/8" FastLine Socket (Default)
	D-PC100N	3+1/8" FastLine Flange
	D-PC100O	3+1/8" FastLine Plug
	D-PC100P	4+1/2" FastLine Socket
Options ⁽⁸⁾	O-PF.04	45 mm Frame
Interlock Contacts	1 Normally Closed + 1 Normally Open	
Contact Ratings	200 V / 2 A	

⁽¹⁾ Approximate, default configuration ⁽³⁾ Altitude < 1500 m (4,900 ft.), Free air, Ambient temp. <30 °C (86 °F) ⁽⁸⁾ Other Connections available

4-Port RL-120 Patch Panel

TP4F120C



FEATURES

- Floating Interlock Contacts
- Rack Ready Design
- Modular Connector System
- 10-Year Warranty

OPTIONS

- Frame

SPECIFICATIONS

Code / Revision	C-TP4F120C / A	
Frequency Range	DC-862 MHz	
Max RMS Input Power ⁽³⁾	UHF	48.0 kW (700 MHz)
	VHF B.III	83.0 kW (230 MHz)
	VHF B.I	134.0 kW (88 MHz)
	FM	121.0 kW (108 MHz)
Return Loss (VSWR)	> 32 dB (1.05)	
Max Operating Temperature (Body)	65 °C (149 °F)	
Environmental Conditions	-5 to +55 °C (+23 to +131 °F), IP60	
Dimensions / Weight ⁽¹⁾	359x483x533 mm (19" x 12U) / 40 kg	
Connectors ⁽⁸⁾	3x 150 mm	Connections
	D-PC150S	RL-120 <i>FastLine</i> Socket (Default)
	D-PC150T	RL-120 <i>FastLine</i> Plug
	D-PC150X	RL-120 <i>FastLine</i> Flange
	D-PC150U	6+1/8" <i>FastLine</i> Socket
	D-PC150V	6+1/8" <i>FastLine</i> Flange
Options ⁽⁶⁾	O-PF.04	45 mm Frame
Interlock Contacts	1 Normally Closed + 1 Normally Open	
Contact Ratings	200 V / 2 A	

⁽¹⁾ Approximate, default configuration ⁽³⁾ Altitude < 1500 m (4,900 ft.), Free air, Ambient temp. <30 °C (86 °F) ⁽⁸⁾ Other Connections available