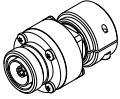


Measurement Adapters

7/8", WX-20D



FEATURES

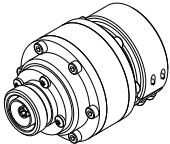
- Precision Measurement adapter
- Modular Connector System
- 7-16 Female or N Female (through adapter) measurement connector

SPECIFICATIONS

Return Loss (VSWR)	> 40 dB (1.02)
Environmental Conditions	-5 to +55°C (+23 to +131°F), IP60
Code	D-SC32
Adapter Connection ⁽⁸⁾	D-PC32G 7/8" <i>FastLine</i> Socket D-PC32G1 7/8" Socket (8.7 mm c/back) D-PCG32G2 WX-20D Socket (1 mm c/back) D-PC32H 7/8" <i>FastLine</i> Flange ⁽¹⁴⁾ D-PC32I 7/8" <i>FastLine</i> Plug D-PC32I0 7/8" <i>FastLine</i> Quick Plug D-PC32I1 7/8" Plug (8.7 mm c/back) D-PC32I2 WX-20D Plug (1 mm c/back)
Measurement Connector	D-PC32E1 7-16 Precision Female
Options	O-NNB.01 Flange screw set O-NEC.02 7-16 Male - N Female Precision Adapter

⁽⁸⁾ Other Connections available ⁽¹⁴⁾ Inner Connections not included

1+5/8", WX39D



FEATURES

- Precision Measurement adapter
- Modular Connector System
- 7-16 Female or N Female (through adapter) measurement connector

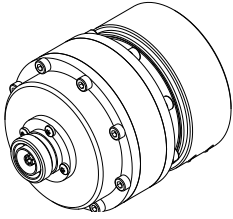
SPECIFICATIONS

Return Loss (VSWR)	> 40 dB (1.02)
Environmental Conditions	-5 to +55°C (+23 to +131°F), IP60
Code	D-SC64
Adapter Connection ⁽⁸⁾	D-PC64J 1+5/8" <i>FastLine</i> Socket D-PC64J1 1+5/8" Socket (11.1 mm c/back) D-PC64J2 WX-39D Socket (1.5 mm c/back) D-PC64K 1+5/8" <i>FastLine</i> Flange ⁽¹⁴⁾ D-PC64L 1+5/8" <i>FastLine</i> Plug D-PC64L0 1+5/8" <i>FastLine</i> Quick Plug D-PC64L1 1+5/8" Plug (11.1 mm c/back) D-PC64L2 WX-39D Plug (1.5 mm c/back)
Measurement Connector	D-PC32E1 7-16 Precision Female
Options	O-NNB.02 Flange screw set O-NEC.02 7-16 Male - N Female Precision Adapter

⁽⁸⁾ Other Connections available ⁽¹⁴⁾ Inner Connections not included

Measurement Adapters

3+1/8", WX-77D



FEATURES

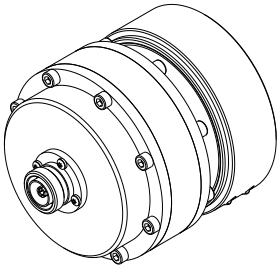
- Precision Measurement adapter
- Modular Connector System
- 7-16 Female or N Female (through adapter) measurement connector

SPECIFICATIONS

Return Loss (VSWR)	> 40 dB (1.02)	
Environmental Conditions	-5 to +55°C (+23 to +131°F), IP60	
Code	D-SC100	
Adapter Connection ⁽⁸⁾	D-PC100M	3+1/8" <i>FastLine</i> Socket
	D-PC100M1	3+1/8" Socket (17.5 mm c/back)
	D-PC100N	3+1/8" <i>FastLine</i> Flange ⁽¹⁴⁾
	D-PC100O	3+1/8" <i>FastLine</i> Plug
	D-PC100O1	3+1/8" Plug (17.5 mm c/back)
Measurement Connector	D-PC32E1	7-16 Precision Female
Options	O-NNB.03	Flange screw set
	O-NEC.02	7-16 Male - N Female Precision Adapter

⁽⁸⁾ Other Connections available ⁽¹⁴⁾ Inner Connections not included

4+1/2", 4+1/16"



FEATURES

- Precision Measurement adapter
- Modular Connector System
- 7-16 Female or N Female (through adapter) measurement connector

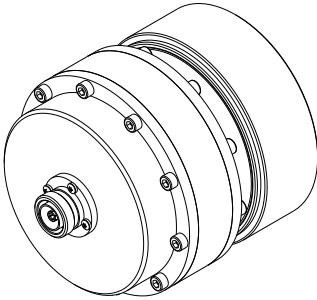
SPECIFICATIONS

Return Loss (VSWR)	> 40 dB (1.02)	
Environmental Conditions	-5 to +55°C (+23 to +131°F), IP60	
Code	D-SC130	
Adapter Connection ⁽⁸⁾	D-PC130P	4+1/2" <i>FastLine</i> Socket
	D-PC130P6	4+1/16" <i>FastLine</i> Socket
	D-PC130Q	4+1/2" <i>FastLine</i> Flange ⁽¹⁴⁾
	D-PC130Q6	4+1/16" <i>FastLine</i> Flange ⁽¹⁴⁾
	D-PC130R	4+1/2" <i>FastLine</i> Plug
Measurement Connector	D-PC32E1	7-16 Precision Female
Options	O-NNB.04	Flange screw set
	O-NEC.02	7-16 Male - N Female Precision Adapter

⁽⁸⁾ Other Connections available ⁽¹⁴⁾ Inner Connections not included

Measurement Adapters

RL-120, WX-120D



FEATURES

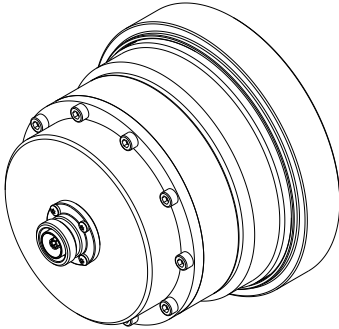
- Precision Measurement adapter
- Modular Connector System
- 7-16 Female or N Female (through adapter) measurement connector

SPECIFICATIONS

Return Loss (VSWR)	> 40 dB (1.02)	
Environmental Conditions	-5 to +55°C (+23 to +131°F), IP60	
Code	D-SC150	
Adapter Connection ⁽⁸⁾	D-PC150S	RL-120 <i>FastLine</i> Socket
	D-PC150X	RL-120 <i>FastLine</i> Flange ⁽¹⁴⁾
	D-PC150T	RL-120 <i>Fast Line</i> Plug
Measurement Connector	D-PC32E1	7-16 Precision Female
Options	O-NNB.06	Flange screw set
	O-NEC.02	7-16 Male - N Female Precision Adapter

⁽⁸⁾ Other Connections available ⁽¹⁴⁾ Inner Connections not included

6+1/8", WX-152D



FEATURES

- Precision Measurement adapter
- Modular Connector System
- 7-16 Female or N Female (through adapter) measurement connector

SPECIFICATIONS

Return Loss (VSWR)	> 40 dB (1.02)	
Environmental Conditions	-5 to +55°C (+23 to +131°F), IP60	
Code	D-SC150	
Adapter Connection ⁽⁸⁾	D-PC150U	6+1/8" <i>FastLine</i> Socket
	D-PC150V	6+1/8" <i>FastLine</i> Flange ⁽¹⁴⁾
	D-PC150W	6+1/8" <i>FastLine</i> Plug
Measurement Connector	D-PC32E1	7-16 Precision Female
Options	O-NNB.05	Flange screw set
	O-NEC.02	7-16 Male - N Female Precision Adapter

⁽⁸⁾ Other Connections available ⁽¹⁴⁾ Inner Connections not included