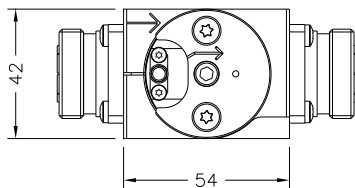
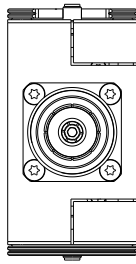
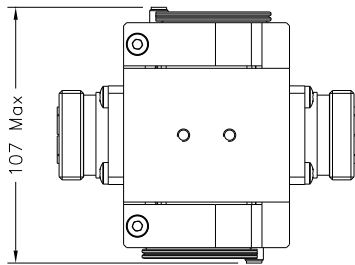
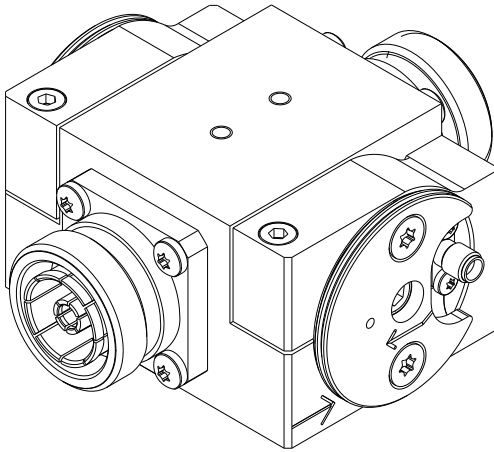


2-Slot 7/8" Directional Coupler



FEATURES

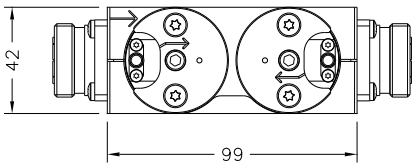
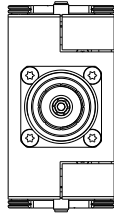
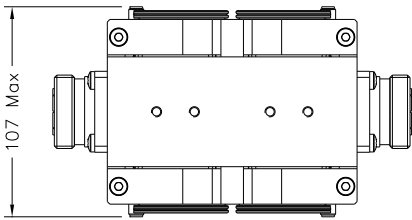
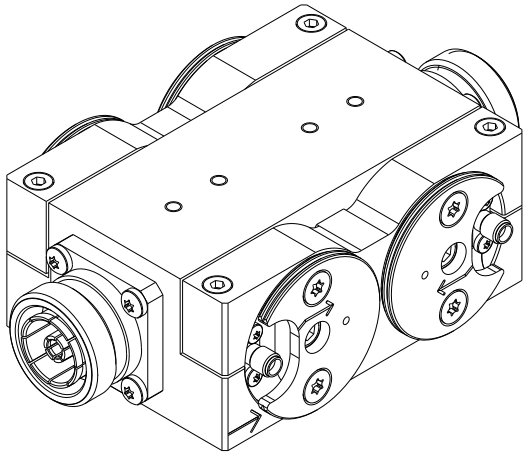
- *Accuprobe*: Equalized-Response Probes
- Single Accuprobe: Integrated Load; Short-Circuit Button
- Dual Accuprobe: Simultaneous FWD and RFL Meas. ⁽¹¹⁾
- SMA or N Probe Connectors
- Modular Connector System
- 10-Year Warranty

SPECIFICATIONS

| | | |
|------------------------------------|-------------------------------------|---|
| Code / Revision | UHF | C-DC2A23/nC / B |
| | VHF B.III | C-DC2A23/nB / B |
| | VHF B.I | C-DC2A23/nA / B |
| | FM | C-DC2A23/nF / B |
| | | <i>n</i> : Number of Probes |
| Frequency Range | UHF | 470-862 MHz |
| | VHF B.III | 174-240 MHz |
| | VHF B.I | 47-100 MHz |
| | FM | 87.5-108 MHz |
| Max RMS Input Power ⁽³⁾ | UHF | 2.7 kW (700 MHz) |
| | VHF B.III | 4.7 kW (230 MHz) |
| | VHF B.I | 7.6 kW (88 MHz) |
| | FM | 6.9 kW (108 MHz) |
| Probe Connectors | SMA or N Female | |
| Reference Load | Single | 2 W, Integrated |
| | Dual | None ⁽¹¹⁾ |
| Max Measurement Level | 32 dBm | |
| No. of Probes / Measures | Single | Up to 2 / Up to 2 |
| | Dual ⁽¹¹⁾ | Up to 2 / Up to 4 |
| Coupling Ranges ⁽¹⁰⁾ | UHF | -35 to -56 dB |
| | | -51 to -68 dB (Low Coupling ⁽⁹⁾) |
| | | -27 to -47 dB (High Coupling ⁽⁹⁾) |
| | VHF B.III | -35 to -55 dB |
| | | -44 to -64 dB (Low Coupling ⁽⁹⁾) |
| | VHF B.I | -48 to -68 dB |
| | FM | -40 to -60 dB |
| In-Band Coupling Variation | (Nominal Coupling) ±0.2 dB | |
| Return Loss (VSWR) | > 34 dB (1.04) | |
| Directivity | Single | > 32 dB |
| | Dual ⁽¹¹⁾ | > 26 dB |
| Max Operating Temperature (Body) | 65 °C (149 °F) | |
| Environmental Conditions | -5 to +55 °C (+23 to +131 °F), IP60 | |
| Dimensions / Weight ⁽¹⁾ | 54x42x107 mm / 0,6 kg | |
| Connectors ⁽⁸⁾ | 2x 32 mm | Input; Output |
| | D-PC32C | N Female |
| | D-PC32D | N Male |
| | D-PC32E | 7-16 Female (Default) |
| | D-PC32F | 7-16 Male |
| | D-PC32G | 7/8" FastLine Socket |
| | D-PC32H | 7/8" FastLine Flange |
| | D-PC32I | 7/8" FastLine Plug |
| | D-PC32J | 1+5/8" FastLine Socket |
| | D-PC32K | 1+5/8" FastLine Flange |
| | D-PC32L | 1+5/8" FastLine Plug |

⁽¹⁾ Approximate, default configuration ⁽³⁾ Altitude < 1500 m (4,900 ft.), Free air, Ambient temp. < 30 °C (86 °F) ⁽⁸⁾ Other Connections available ⁽⁹⁾ Available on Single Accuprobe only
⁽¹⁰⁾ Coupling Range Steps: 0.1 dB ⁽¹¹⁾ Both measurement ports have the same coupling level, and both must be terminated, with RL≥27 dB.

4-Slot 7/8" Directional Coupler



FEATURES

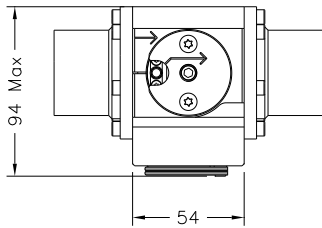
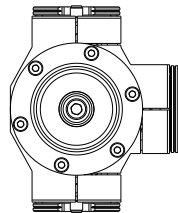
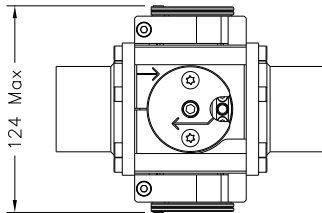
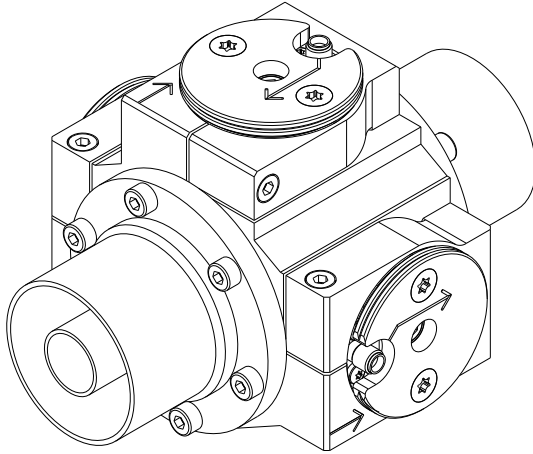
- *Accuprobe*: Equalized-Response Probes
- Single Accuprobe: Integrated Load; Short-Circuit Button
- Dual Accuprobe: Simultaneous FWD and RFL Meas. ⁽¹¹⁾
- SMA or N Probe Connectors
- Modular Connector System
- 10-Year Warranty

SPECIFICATIONS

| | | |
|------------------------------------|-------------------------------------|---|
| Code / Revision | UHF | C-DC4A23/nC / B |
| | VHF B.III | C-DC4A23/nB / B |
| | VHF B.I | C-DC4A23/nA / B |
| | FM | C-DC4A23/nF / B |
| | | <i>n</i> : Number of Probes |
| Frequency Range | UHF | 470-862 MHz |
| | VHF B.III | 174-240 MHz |
| | VHF B.I | 47-100 MHz |
| | FM | 87.5-108 MHz |
| Max RMS Input Power ⁽³⁾ | UHF | 2.7 kW (700 MHz) |
| | VHF B.III | 4.7 kW (230 MHz) |
| | VHF B.I | 7.6 kW (88 MHz) |
| | FM | 6.9 kW (108 MHz) |
| Probe Connectors | SMA or N Female | |
| Reference Load | Single | 2 W, Integrated |
| | Dual | None ⁽¹¹⁾ |
| Max Measurement Level | 32 dBm | |
| No. of Probes / Measures | Single | Up to 4 / Up to 4 |
| | Dual ⁽¹¹⁾ | Up to 4 / Up to 8 |
| Coupling Ranges ⁽¹⁰⁾ | UHF | -35 to -56 dB |
| | | -51 to -68 dB (Low Coupling ⁽⁹⁾) |
| | | -27 to -47 dB (High Coupling ⁽⁹⁾) |
| | VHF B.III | -35 to -55 dB |
| | | -44 to -64 dB (Low Coupling ⁽⁹⁾) |
| | VHF B.I | -48 to -68 dB |
| | FM | -40 to -60 dB |
| In-Band Coupling Variation | (Nominal Coupling) ±0.2 dB | |
| Return Loss (VSWR) | > 34 dB (1.04) | |
| Directivity | Single | > 32 dB |
| | Dual ⁽¹¹⁾ | > 26 dB |
| Max Operating Temperature (Body) | 65 °C (149 °F) | |
| Environmental Conditions | -5 to +55 °C (+23 to +131 °F), IP60 | |
| Dimensions / Weight ⁽¹⁾ | 99x42x107 mm / 0,9 kg | |
| Connectors ⁽⁸⁾ | 2x 32 mm | Input; Output |
| | D-PC32C | N Female |
| | D-PC32D | N Male |
| | D-PC32E | 7-16 Female (Default) |
| | D-PC32F | 7-16 Male |
| | D-PC32G | 7/8" FastLine Socket |
| | D-PC32H | 7/8" FastLine Flange |
| | D-PC32I | 7/8" FastLine Plug |
| | D-PC32J | 1+5/8" FastLine Socket |
| | D-PC32K | 1+5/8" FastLine Flange |
| | D-PC32L | 1+5/8" FastLine Plug |

⁽¹⁾ Approximate, default configuration ⁽³⁾ Altitude < 1500 m (4,900 ft.), Free air, Ambient temp. < 30 °C (86 °F) ⁽⁸⁾ Other Connections available ⁽⁹⁾ Available on Single Accuprobe only
⁽¹⁰⁾ Coupling Range Steps: 0.1 dB ⁽¹¹⁾ Both measurement ports have the same coupling level, and both must be terminated, with RL≥27 dB.

3-Slot 1+5/8" Directional Coupler



FEATURES

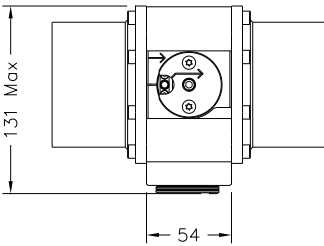
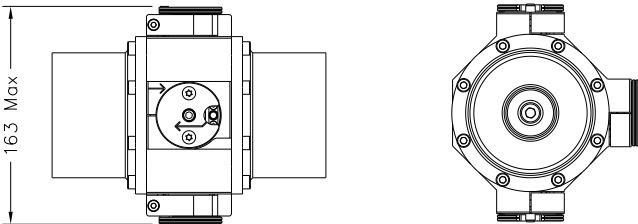
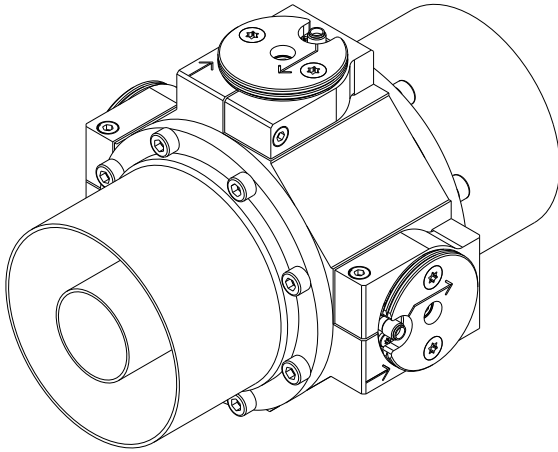
- *Accuprobe*: Equalized-Response Probes
- Single Accuprobe: Integrated Load; Short-Circuit Button
- Dual Accuprobe: Simultaneous FWD and RFL Meas. ⁽¹¹⁾
- SMA or N Probe Connectors
- Modular Connector System
- 10-Year Warranty

SPECIFICATIONS

| | | | |
|------------------------------------|-------------------------------------|---|---------------------------------|
| Code / Revision | UHF | C-DC3A39/nC | / A |
| | VHF B.III | C-DC3A39/nB | / A |
| | VHF B.I | C-DC3A39/nA | / A |
| | FM | C-DC3A39/nF | / A |
| | | <i>n</i> : Number of Probes | |
| Frequency Range | UHF | 470-862 MHz | |
| | VHF B.III | 174-240 MHz | |
| | VHF B.I | 47-100 MHz | |
| | FM | 87.5-108 MHz | |
| Max RMS Input Power ⁽³⁾ | UHF | 7.0 kW | (700 MHz) |
| | VHF B.III | 12.0 kW | (230 MHz) |
| | VHF B.I | 20.0 kW | (88 MHz) |
| | FM | 18.0 kW | (108 MHz) |
| Probe Connectors | SMA or N Female | | |
| Reference Load | Single | 2 W, Integrated | |
| | Dual | None ⁽¹¹⁾ | |
| Max Measurement Level | 32 dBm | | |
| No. of Probes / Measures | Single | Up to 3 / Up to 3 | |
| | Dual ⁽¹¹⁾ | Up to 3 / Up to 6 | |
| Coupling Ranges ⁽¹⁰⁾ | UHF | -41 to -61 dB | |
| | | -57 to -73 dB | (Low Coupling ⁽⁹⁾) |
| | | -33 to -53 dB | (High Coupling ⁽⁹⁾) |
| | VHF B.III | -41 to -61 dB | |
| | | -49 to -69 dB | (Low Coupling ⁽⁹⁾) |
| | VHF B.I | -55 to -75 dB | |
| | FM | -47 to -67 dB | |
| In-Band Coupling Variation | (Nominal Coupling) ±0.2 dB | | |
| Return Loss (VSWR) | > 34 dB (1.04) | | |
| Directivity | Single | > 32 dB | |
| | Dual ⁽¹¹⁾ | > 26 dB | |
| Max Operating Temperature (Body) | 65 °C (149 °F) | | |
| Environmental Conditions | -5 to +55 °C (+23 to +131 °F), IP60 | | |
| Dimensions / Weight ⁽¹⁾ | 54x94x124 mm / 0.9 kg | | |
| Connectors ⁽⁸⁾ | 2x 64 mm | Input; Output | |
| | D-PC64J | 1+5/8" <i>FastLine</i> Socket (Default) | |
| | D-PC64K | 1+5/8" <i>FastLine</i> Flange | |
| | D-PC64L | 1+5/8" <i>FastLine</i> Plug | |
| | D-PC64M | 3+1/8" <i>FastLine</i> Socket | |
| | D-PC64N | 3+1/8" <i>FastLine</i> Flange | |
| | D-PC64O | 3+1/8" <i>FastLine</i> Plug | |

⁽¹⁾ Approximate, default configuration ⁽³⁾ Altitude < 1500 m (4,900 ft.), Free air, Ambient temp. < 30 °C (86 °F) ⁽⁸⁾ Other Connections available ⁽⁹⁾ Available on Single Accuprobe only
⁽¹⁰⁾ Coupling Range Steps: 0.1 dB ⁽¹¹⁾ Both measurement ports have the same coupling level, and both must be terminated, with RL≥27 dB.

3-Slot 3+1/8" Directional Coupler



FEATURES

- *Accuprobe*: Equalized-Response Probes
- Single Accuprobe: Integrated Load; Short-Circuit Button
- Dual Accuprobe: Simultaneous FWD and RFL Meas. ⁽¹¹⁾
- SMA or N Probe Connectors
- Modular Connector System
- 10-Year Warranty

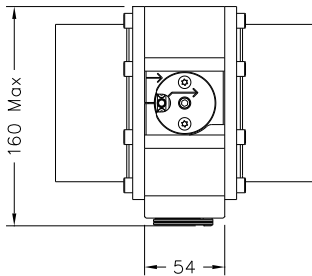
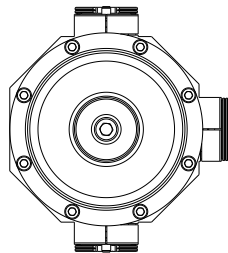
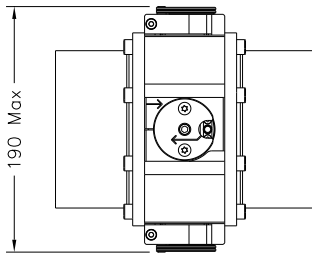
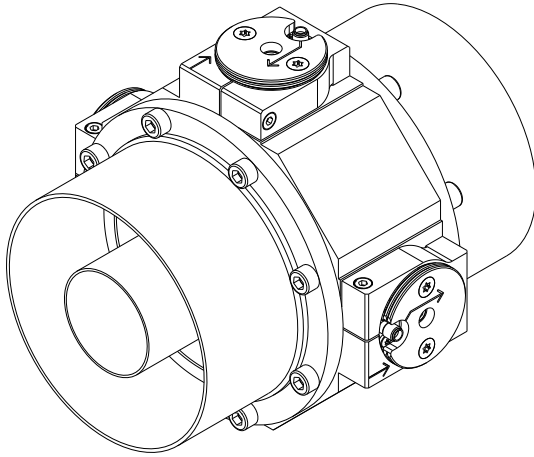
SPECIFICATIONS

| | | | |
|------------------------------------|-------------------------------------|---|---------------------------------|
| Code / Revision | UHF | C-DC3A77/nC | / A |
| | VHF B.III | C-DC3A77/nB | / A |
| | VHF B.I | C-DC3A77/nA | / A |
| | FM | C-DC3A77/nF | / A |
| | <i>n</i> : Number of Probes | | |
| Frequency Range | UHF | 470-862 MHz | |
| | VHF B.III | 174-240 MHz | |
| | VHF B.I | 47-100 MHz | |
| | FM | 87.5-108 MHz | |
| Max RMS Input Power ⁽³⁾ | UHF | 25.0 kW | (700 MHz) |
| | VHF B.III | 44.0 kW | (230 MHz) |
| | VHF B.I | 71.0 kW | (88 MHz) |
| | FM | 65.0 kW | (108 MHz) |
| Probe Connectors | SMA or N Female | | |
| Reference Load | Single | 2 W, Integrated | |
| | Dual | None ⁽¹¹⁾ | |
| Max Measurement Level | 32 dBm | | |
| No. of Probes / Measures | Single | Up to 3 / Up to 3 | |
| | Dual ⁽¹¹⁾ | Up to 3 / Up to 6 | |
| Coupling Ranges ⁽¹⁰⁾ | UHF | -47 to -68 dB | |
| | | -63 to -77 dB | (Low Coupling ⁽⁹⁾) |
| | | -40 to -60 dB | (High Coupling ⁽⁹⁾) |
| | VHF B.III | -47 to -67 dB | |
| | | -55 to -75 dB | (Low Coupling ⁽⁹⁾) |
| | VHF B.I | -61 to -81 dB | |
| | FM | -54 to -74 dB | |
| In-Band Coupling Variation | (Nominal Coupling) ±0.2 dB | | |
| Return Loss (VSWR) | > 34 dB (1.04) | | |
| Directivity | Single | > 32 dB | |
| | Dual ⁽¹¹⁾ | > 26 dB | |
| Max Operating Temperature (Body) | 65 °C (149 °F) | | |
| Environmental Conditions | -5 to +55 °C (+23 to +131 °F), IP60 | | |
| Dimensions / Weight ⁽¹⁾ | 54x131x163 mm / 1.6 kg | | |
| Connectors ⁽⁸⁾ | 2x 100 mm | Input; Output | |
| | D-PC100M | 3+1/8" <i>FastLine</i> Socket (Default) | |
| | D-PC100N | 3+1/8" <i>FastLine</i> Flange | |
| | D-PC100O | 3+1/8" <i>FastLine</i> Plug | |
| | D-PC100P | 4+1/2" <i>FastLine</i> Socket | |
| | D-PC100Q | 4+1/2" <i>FastLine</i> Flange | |

⁽¹⁾ Approximate, default configuration ⁽³⁾ Altitude < 1500 m (4,900 ft.), Free air, Ambient temp. < 30 °C (86 °F) ⁽⁸⁾ Other Connections available ⁽⁹⁾ Available on Single Accuprobe only

⁽¹⁰⁾ Coupling Range Steps: 0.1 dB ⁽¹¹⁾ Both measurement ports have the same coupling level, and both must be terminated, with RL≥27 dB.

3-Slot 4+1/2" Directional Coupler



FEATURES

- *Accuprobe*: Equalized-Response Probes
- Single *Accuprobe*: Integrated Load; Short-Circuit Button
- Dual *Accuprobe*: Simultaneous FWD and RFL Meas. ⁽¹¹⁾
- SMA or N Probe Connectors
- Modular Connector System
- 10-Year Warranty

SPECIFICATIONS

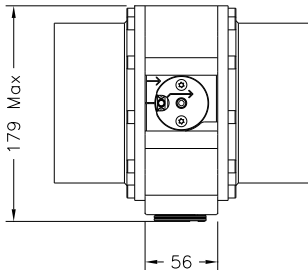
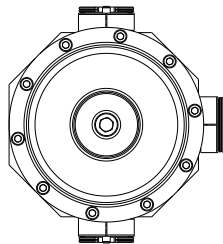
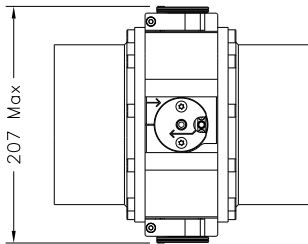
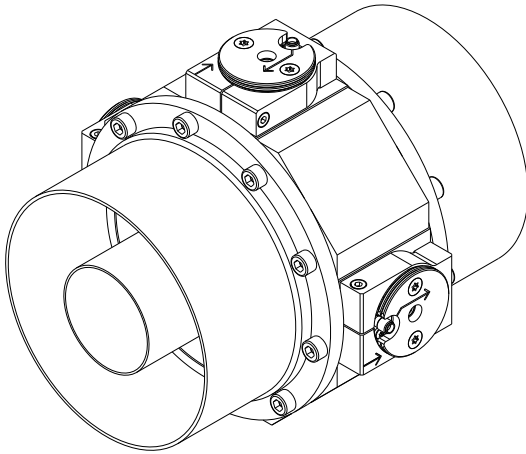
| | | |
|------------------------------------|-------------------------------------|---|
| Code / Revision | UHF | C-DC3A103/nC / A |
| | VHF B.III | C-DC3A103/nB / A |
| | VHF B.I | C-DC3A103/nA / A |
| | FM | C-DC3A103/nF / A |
| | <i>n</i> : Number of Probes | |
| Frequency Range | UHF | 470-862 MHz |
| | VHF B.III | 174-240 MHz |
| | VHF B.I | 47-100 MHz |
| | FM | 87.5-108 MHz |
| Max RMS Input Power ⁽³⁾ | UHF | 37.0 kW (700 MHz) |
| | VHF B.III | 65.0 kW (230 MHz) |
| | VHF B.I | 105.0 kW (88 MHz) |
| | FM | 95.0 kW (108 MHz) |
| Probe Connectors | SMA or N Female | |
| Reference Load | Single | 2 W, Integrated |
| | Dual | None ⁽¹¹⁾ |
| Max Measurement Level | 32 dBm | |
| No. of Probes / Measures | Single | Up to 3 / Up to 3 |
| | Dual ⁽¹¹⁾ | Up to 3 / Up to 6 |
| Coupling Ranges ⁽¹⁰⁾ | UHF | -51 to -71 dB |
| | | -44 to -64 dB (High Coupling ⁽⁹⁾) |
| | VHF B.III | -51 to -71 dB |
| | | -59 to -79 dB (Low Coupling ⁽⁹⁾) |
| | VHF B.I | -65 to -85 dB |
| | FM | -58 to -78 dB |
| In-Band Coupling Variation | (Nominal Coupling) ±0.2 dB | |
| Return Loss (VSWR) | > 34 dB (1.04) | |
| Directivity | Single | > 32 dB |
| | Dual ⁽¹¹⁾ | > 26 dB |
| Max Operating Temperature (Body) | 65 °C (149 °F) | |
| Environmental Conditions | -5 to +55 °C (+23 to +131 °F), IP60 | |
| Dimensions / Weight ⁽¹⁾ | 54x160x190 mm / 2.4 kg | |
| Connectors ⁽⁶⁾ | 2x 130 mm Input; Output | |
| | D-PC130P | 4+1/2" <i>FastLine</i> Socket (Default) |
| | D-PC130Q | 4+1/2" <i>FastLine</i> Flange |
| | D-PC130R | 4+1/2" <i>FastLine</i> Plug |
| | D-PC130S | RL-120 <i>FastLine</i> Socket |
| | D-PC130X | RL-120 <i>FastLine</i> Flange |

⁽¹⁾ Approximate, default configuration ⁽³⁾ Altitude < 1500 m (4,900 ft.), Free air, Ambient temp. < 30 °C (86 °F) ⁽⁶⁾ Other Connections available ⁽⁹⁾ Available on Single *Accuprobe* only

⁽¹⁰⁾ Coupling Range Steps: 0.1 dB ⁽¹¹⁾ Both measurement ports have the same coupling level, and both must be terminated, with RL≥27 dB.

3-Slot RL-120 Directional Coupler

DC3A120



FEATURES

- *Accuprobe*: Equalized-Response Probes
- Single *Accuprobe*: Integrated Load; Short-Circuit Button
- Dual *Accuprobe*: Simultaneous FWD and RFL Meas. ⁽¹¹⁾
- SMA or N Probe Connectors
- Modular Connector System
- 10-Year Warranty

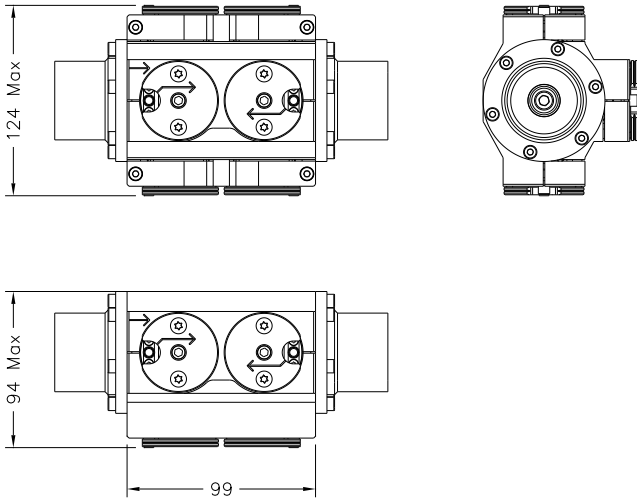
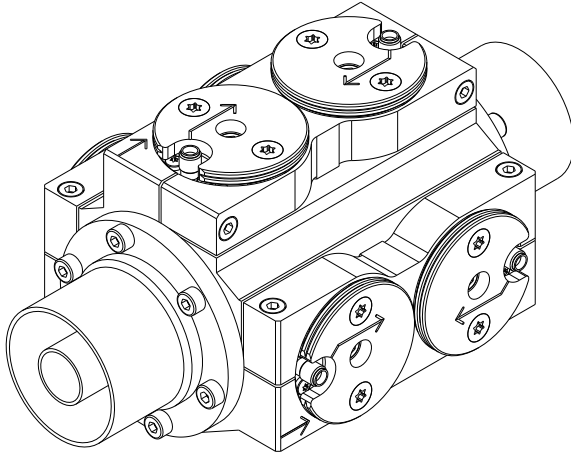
SPECIFICATIONS

| | | |
|------------------------------------|-------------------------------------|---|
| Code / Revision | UHF | C-DC3A120/nC / A |
| | VHF B.III | C-DC3A120/nB / A |
| | VHF B.I | C-DC3A120/nA / A |
| | FM | C-DC3A120/nF / A |
| | | <i>n</i> : Number of Probes |
| Frequency Range | UHF | 470-862 MHz |
| | VHF B.III | 174-240 MHz |
| | VHF B.I | 47-100 MHz |
| | FM | 87.5-108 MHz |
| Max RMS Input Power ⁽³⁾ | UHF | 48.0 kW (700 MHz) |
| | VHF B.III | 83.0 kW (230 MHz) |
| | VHF B.I | 134.0 kW (88 MHz) |
| | FM | 121.0 kW (108 MHz) |
| Probe Connectors | SMA or N Female | |
| Reference Load | Single | 2 W, Integrated |
| | Dual | None ⁽¹¹⁾ |
| Max Measurement Level | 32 dBm | |
| No. of Probes / Measures | Single | Up to 3 / Up to 3 |
| | Dual ⁽¹¹⁾ | Up to 3 / Up to 6 |
| Coupling Ranges ⁽¹⁰⁾ | UHF | -52 to -72 dB |
| | | -46 to -54 dB (High Coupling ⁽⁹⁾) |
| | VHF B.III | -52 to -72 dB |
| | | -60 to -80 dB (Low Coupling ⁽⁹⁾) |
| | VHF B.I | -66 to -86 dB |
| | FM | -59 to -79 dB |
| In-Band Coupling Variation | (Nominal Coupling) ±0.2 dB | |
| Return Loss (VSWR) | > 34 dB (1.04) | |
| Directivity | Single | > 32 dB |
| | Dual ⁽¹¹⁾ | > 26 dB |
| Max Operating Temperature (Body) | 65 °C (149 °F) | |
| Environmental Conditions | -5 to +55 °C (+23 to +131 °F), IP60 | |
| Dimensions / Weight ⁽¹⁾ | 56x179x207 mm / 3.7 kg | |
| Connectors ⁽⁶⁾ | 2x 150 mm Input; Output | |
| | D-PC150S | RL-120 <i>FastLine</i> Socket (Default) |
| | D-PC150T | RL-120 <i>FastLine</i> Plug |
| | D-PC150X | RL-120 <i>FastLine</i> Flange |
| | D-PC150U | 6+1/8" <i>FastLine</i> Socket |
| | D-PC150V | 6+1/8" <i>FastLine</i> Flange |

⁽¹⁾ Approximate, default configuration ⁽³⁾ Altitude < 1500 m (4,900 ft.), Free air, Ambient temp. < 30 °C (86 °F) ⁽⁶⁾ Other Connections available ⁽⁹⁾ Available on Single *Accuprobe* only

⁽¹⁰⁾ Coupling Range Steps: 0.1 dB ⁽¹¹⁾ Both measurement ports have the same coupling level, and both must be terminated, with RL≥27 dB.

6-Slot 1+5/8" Directional Coupler



FEATURES

- *Accuprobe*: Equalized-Response Probes
- Single *Accuprobe*: Integrated Load; Short-Circuit Button
- Dual *Accuprobe*: Simultaneous FWD and RFL Meas. ⁽¹¹⁾
- SMA or N Probe Connectors
- Modular Connector System
- 10-Year Warranty

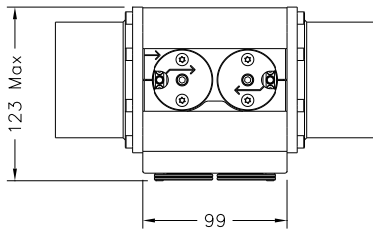
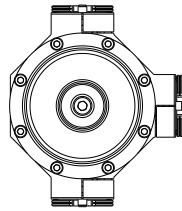
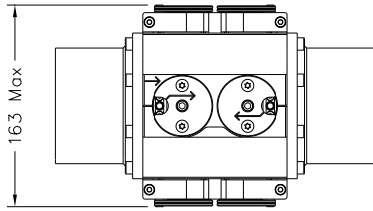
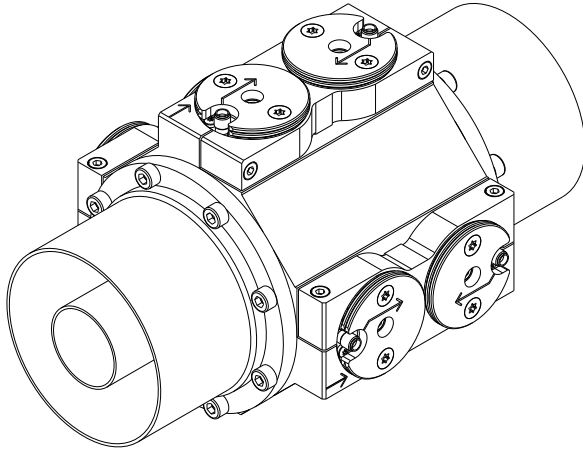
SPECIFICATIONS

| | | | |
|------------------------------------|-------------------------------------|---|---------------------------------|
| Code / Revision | UHF | C-DC6A39/nC | / A |
| | VHF B.III | C-DC6A39/nB | / A |
| | VHF B.I | C-DC6A39/nA | / A |
| | FM | C-DC6A39/nF | / A |
| | | <i>n</i> : Number of Probes | |
| Frequency Range | UHF | 470-862 MHz | |
| | VHF B.III | 174-240 MHz | |
| | VHF B.I | 47-100 MHz | |
| | FM | 87.5-108 MHz | |
| Max RMS Input Power ⁽³⁾ | UHF | 7.0 kW | (700 MHz) |
| | VHF B.III | 12.0 kW | (230 MHz) |
| | VHF B.I | 20.0 kW | (88 MHz) |
| | FM | 18.0 kW | (108 MHz) |
| Probe Connectors | SMA or N Female | | |
| Reference Load | Single | 2 W, Integrated | |
| | Dual | None ⁽¹¹⁾ | |
| Max Measurement Level | 32 dBm | | |
| No. of Probes / Measures | Single | Up to 6 / Up to 6 | |
| | Dual ⁽¹¹⁾ | Up to 6 / Up to 12 | |
| Coupling Ranges ⁽¹⁰⁾ | UHF | -41 to -61 dB | |
| | | -57 to -73 dB | (Low Coupling ⁽⁹⁾) |
| | | -33 to -53 dB | (High Coupling ⁽⁹⁾) |
| | VHF B.III | -41 to -61 dB | |
| | | -49 to -69 dB | (Low Coupling ⁽⁹⁾) |
| | VHF B.I | -55 to -75 dB | |
| | FM | -47 to -67 dB | |
| In-Band Coupling Variation | (Nominal Coupling) ±0.2 dB | | |
| Return Loss (VSWR) | > 34 dB (1.04) | | |
| Directivity | Single | > 32 dB | |
| | Dual ⁽¹¹⁾ | > 26 dB | |
| Max Operating Temperature (Body) | 65 °C (149 °F) | | |
| Environmental Conditions | -5 to +55 °C (+23 to +131 °F), IP60 | | |
| Dimensions / Weight ⁽¹⁾ | 99x94x124 mm / 1,4 kg | | |
| Connectors ⁽⁸⁾ | 2 x 64 mm | Input; Output | |
| | D-PC64J | 1+5/8" <i>FastLine</i> Socket (Default) | |
| | D-PC64K | 1+5/8" <i>FastLine</i> Flange | |
| | D-PC64L | 1+5/8" <i>FastLine</i> Plug | |
| | D-PC64M | 3+1/8" <i>FastLine</i> Socket | |
| | D-PC64N | 3+1/8" <i>FastLine</i> Flange | |
| | D-PC64O | 3+1/8" <i>FastLine</i> Plug | |

⁽¹⁾ Approximate, default configuration ⁽³⁾ Altitude < 1500 m (4,900 ft.), Free air, Ambient temp. < 30 °C (86 °F) ⁽⁸⁾ Other Connections available ⁽⁹⁾ Available on Single *Accuprobe* only

⁽¹⁰⁾ Coupling Range Steps: 0.1 dB ⁽¹¹⁾ Both measurement ports have the same coupling level, and both must be terminated, with RL≥27 dB.

6-Slot 3+1/8" Directional Coupler



FEATURES

- *Accuprobe*: Equalized-Response Probes
- Single Accuprobe: Integrated Load; Short-Circuit Button
- Dual Accuprobe: Simultaneous FWD and RFL Meas. ⁽¹¹⁾
- SMA or N Probe Connectors
- Modular Connector System
- 10-Year Warranty

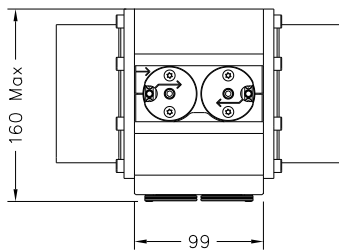
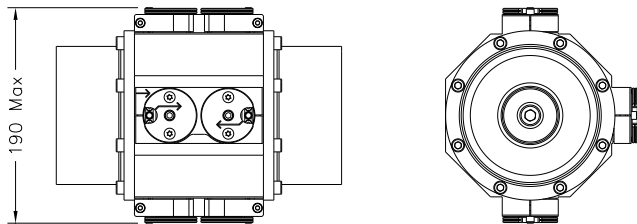
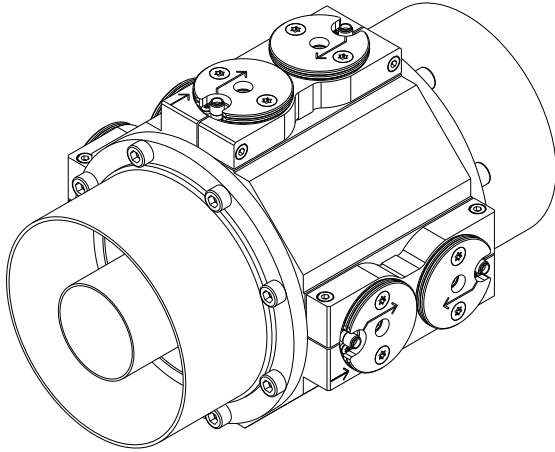
SPECIFICATIONS

| | | | |
|------------------------------------|-------------------------------------|---|---------------------------------|
| Code / Revision | UHF | C-DC6A77/nC | / A |
| | VHF B.III | C-DC6A77/nB | / A |
| | VHF B.I | C-DC6A77/nA | / A |
| | FM | C-DC6A77/nF | / A |
| | | <i>n: Number of Probes</i> | |
| Frequency Range | UHF | 470-862 MHz | |
| | VHF B.III | 174-240 MHz | |
| | VHF B.I | 47-100 MHz | |
| | FM | 87.5-108 MHz | |
| Max RMS Input Power ⁽³⁾ | UHF | 25.0 kW | (700 MHz) |
| | VHF B.III | 44.0 kW | (230 MHz) |
| | VHF B.I | 71.0 kW | (88 MHz) |
| | FM | 65.0 kW | (108 MHz) |
| Probe Connectors | SMA or N Female | | |
| Reference Load | Single | 2 W, Integrated | |
| | Dual | None ⁽¹¹⁾ | |
| Max Measurement Level | 32 dBm | | |
| No. of Probes / Measures | Single | Up to 3 / Up to 3 | |
| | Dual ⁽¹¹⁾ | Up to 3 / Up to 6 | |
| Coupling Ranges ⁽¹⁰⁾ | UHF | -47 to -68 dB | |
| | | -63 to -77 dB | (Low Coupling ⁽⁹⁾) |
| | | -40 to -60 dB | (High Coupling ⁽⁹⁾) |
| | VHF B.III | -47 to -67 dB | |
| | | -55 to -75 dB | (Low Coupling ⁽⁹⁾) |
| | VHF B.I | -61 to -81 dB | |
| | FM | -54 to -74 dB | |
| In-Band Coupling Variation | (Nominal Coupling) ±0.2 dB | | |
| Return Loss (VSWR) | > 34 dB (1.04) | | |
| Directivity | Single | > 32 dB | |
| | Dual ⁽¹¹⁾ | > 26 dB | |
| Max Operating Temperature (Body) | 65 °C (149 °F) | | |
| Environmental Conditions | -5 to +55 °C (+23 to +131 °F), IP60 | | |
| Dimensions / Weight ⁽¹⁾ | 99x123x163 mm / 2.4 kg | | |
| Connectors ⁽⁸⁾ | 2x 100 mm | Input; Output | |
| | D-PC100M | 3+1/8" <i>FastLine</i> Socket (Default) | |
| | D-PC100N | 3+1/8" <i>FastLine</i> Flange | |
| | D-PC100O | 3+1/8" <i>FastLine</i> Plug | |
| | D-PC100P | 4+1/2" <i>FastLine</i> Socket | |
| | D-PC100Q | 4+1/2" <i>FastLine</i> Flange | |

⁽¹⁾ Approximate, default configuration ⁽³⁾ Altitude < 1500 m (4,900 ft.), Free air, Ambient temp. < 30 °C (86 °F) ⁽⁸⁾ Other Connections available ⁽⁹⁾ Available on Single Accuprobe only

⁽¹⁰⁾ Coupling Range Steps: 0.1 dB ⁽¹¹⁾ Both measurement ports have the same coupling level, and both must be terminated, with RL≥27 dB.

6-Slot 4+1/2" Directional Coupler



FEATURES

- *Accuprobe*: Equalized-Response Probes
- Single Accuprobe: Integrated Load; Short-Circuit Button
- Dual Accuprobe: Simultaneous FWD and RFL Meas. ⁽¹¹⁾
- SMA or N Probe Connectors
- Modular Connector System
- 10-Year Warranty

SPECIFICATIONS

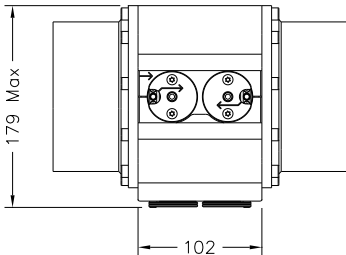
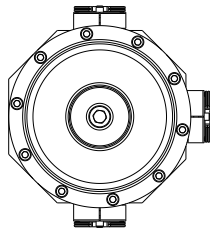
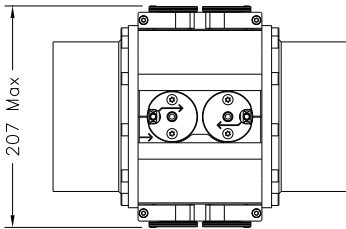
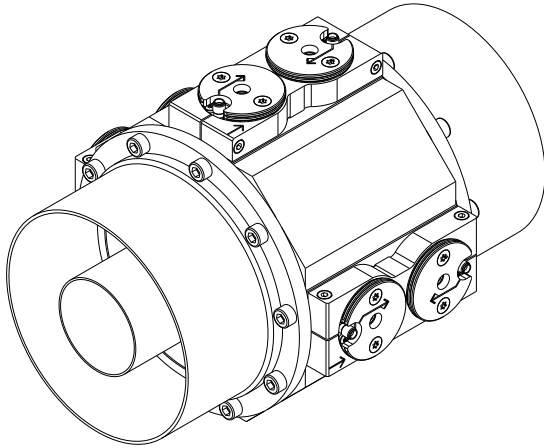
| | | |
|------------------------------------|-------------------------------------|---|
| Code / Revision | UHF | C-DC6A103/nC / A |
| | VHF B.III | C-DC6A103/nB / A |
| | VHF B.I | C-DC6A103/nA / A |
| | FM | C-DC6A103/nF / A |
| | | <i>n</i> : Number of Probes |
| Frequency Range | UHF | 470-862 MHz |
| | VHF B.III | 174-240 MHz |
| | VHF B.I | 47-100 MHz |
| | FM | 87.5-108 MHz |
| Max RMS Input Power ⁽³⁾ | UHF | 37.0 kW (700 MHz) |
| | VHF B.III | 65.0 kW (230 MHz) |
| | VHF B.I | 105.0 kW (88 MHz) |
| | FM | 95.0 kW (108 MHz) |
| Probe Connectors | SMA or N Female | |
| Reference Load | Single | 2 W, Integrated |
| | Dual | None ⁽¹¹⁾ |
| Max Measurement Level | 32 dBm | |
| No. of Probes / Measures | Single | Up to 6 / Up to 6 |
| | Dual ⁽¹¹⁾ | Up to 6 / Up to 12 |
| Coupling Ranges ⁽¹⁰⁾ | UHF | -51 to -71 dB |
| | | -44 to -64 dB (High Coupling ⁽⁹⁾) |
| | VHF B.III | -51 to -71 dB |
| | | -59 to -79 dB (Low Coupling ⁽⁹⁾) |
| | VHF B.I | -65 to -85 dB |
| | FM | -58 to -78 dB |
| In-Band Coupling Variation | (Nominal Coupling) ±0.2 dB | |
| Return Loss (VSWR) | > 34 dB (1.04) | |
| Directivity | Single | > 32 dB |
| | Dual ⁽¹¹⁾ | > 26 dB |
| Max Operating Temperature (Body) | 65 °C (149 °F) | |
| Environmental Conditions | -5 to +55 °C (+23 to +131 °F), IP60 | |
| Dimensions / Weight ⁽¹⁾ | 99x160x190 mm / 3.5 kg | |
| Connectors ⁽⁶⁾ | 2x 130 mm Input; Output | |
| | D-PC130P | 4+1/2" <i>FastLine</i> Socket (Default) |
| | D-PC130Q | 4+1/2" <i>FastLine</i> Flange |
| | D-PC130R | 4+1/2" <i>FastLine</i> Plug |
| | D-PC130S | RL-120 <i>FastLine</i> Socket |
| | D-PC130X | RL-120 <i>FastLine</i> Flange |

⁽¹⁾ Approximate, default configuration ⁽³⁾ Altitude < 1500 m (4,900 ft.), Free air, Ambient temp. < 30 °C (86 °F) ⁽⁶⁾ Other Connections available ⁽⁹⁾ Available on Single Accuprobe only

⁽¹⁰⁾ Coupling Range Steps: 0.1 dB ⁽¹¹⁾ Both measurement ports have the same coupling level, and both must be terminated, with RL≥27 dB.

6-Slot RL-120 Directional Coupler

DC6A120



FEATURES

- *Accuprobe*: Equalized-Response Probes
- Single *Accuprobe*: Integrated Load; Short-Circuit Button
- Dual *Accuprobe*: Simultaneous FWD and RFL Meas. ⁽¹¹⁾
- SMA or N Probe Connectors
- Modular Connector System
- 10-Year Warranty

SPECIFICATIONS

| | | |
|------------------------------------|-------------------------------------|---|
| Code / Revision | UHF | C-DC6A120/nC / A |
| | VHF B.III | C-DC6A120/nB / A |
| | VHF B.I | C-DC6A120/nA / A |
| | FM | C-DC6A120/nF / A |
| | | <i>n</i> : Number of Probes |
| Frequency Range | UHF | 470-862 MHz |
| | VHF B.III | 174-240 MHz |
| | VHF B.I | 47-100 MHz |
| | FM | 87.5-108 MHz |
| Max RMS Input Power ⁽³⁾ | UHF | 48.0 kW (700 MHz) |
| | VHF B.III | 83.0 kW (230 MHz) |
| | VHF B.I | 134.0 kW (88 MHz) |
| | FM | 121.0 kW (108 MHz) |
| Probe Connectors | SMA or N Female | |
| Reference Load | Single | 2 W, Integrated |
| | Dual | None ⁽¹¹⁾ |
| Max Measurement Level | 32 dBm | |
| No. of Probes / Measures | Single | Up to 6 / Up to 6 |
| | Dual ⁽¹¹⁾ | Up to 6 / Up to 12 |
| Coupling Ranges ⁽¹⁰⁾ | UHF | -52 to -72 dB |
| | | -46 to -54 dB (High Coupling ⁽⁹⁾) |
| | VHF B.III | -52 to -72 dB |
| | | -60 to -80 dB (Low Coupling ⁽⁹⁾) |
| | VHF B.I | -66 to -86 dB |
| | FM | -59 to -79 dB |
| In-Band Coupling Variation | (Nominal Coupling) ±0.2 dB | |
| Return Loss (VSWR) | > 34 dB (1.04) | |
| Directivity | Single | > 32 dB |
| | Dual ⁽¹¹⁾ | > 26 dB |
| Max Operating Temperature (Body) | 65 °C (149 °F) | |
| Environmental Conditions | -5 to +55 °C (+23 to +131 °F), IP60 | |
| Dimensions / Weight ⁽¹⁾ | 102x179x207 mm / 5.6 kg | |
| Connectors ⁽⁶⁾ | 2x 150 mm | Input; Output |
| | D-PC150S | RL-120 <i>FastLine</i> Socket (Default) |
| | D-PC150T | RL-120 <i>FastLine</i> Plug |
| | D-PC150X | RL-120 <i>FastLine</i> Flange |
| | D-PC150U | 6+1/8" <i>FastLine</i> Socket |
| | D-PC150V | 6+1/8" <i>FastLine</i> Flange |

⁽¹⁾ Approximate, default configuration ⁽³⁾ Altitude < 1500 m (4,900 ft.), Free air, Ambient temp. < 30 °C (86 °F) ⁽⁸⁾ Other Connections available ⁽⁹⁾ Available on Single *Accuprobe* only

⁽¹⁰⁾ Coupling Range Steps: 0.1 dB ⁽¹¹⁾ Both measurement ports have the same coupling level, and both must be terminated, with RL≥27 dB.